



SERVING THE FOOD INDUSTRY SINCE 1951

Stainless Steel Reach-In Freezer

ITEM:	50111	50023	50025	50027
MODEL:	FR-CN-0035-HC	FR-CN-0737-HC	FR-CN-1372-HC	FR-CN-2057-HC



High-performance commercial Reach-In Freezers built for efficiency.

Ample frozen storage keeps ingredients fresh and ready for use. Digital temperature control with an LCD display allows easy monitoring and adjustment, while a ventilated cooling system ensures even, consistent temperatures. Stainless steel construction offers durability, and easy cleaning. Self-closing doors help maintain optimal temperatures, and automatic defrost reduces maintenance, preventing ice buildup.

- Digital temperature control and LCD display
- Durable Stainless steel design
- Self-closing doors
- Heavy-duty casters with brakes
- Adjustable PVC-coated shelves
- Automatic defrost
- Cyclopentane Insulation material
- Ventilated cooling system

Telephone: 1-800-465-0234

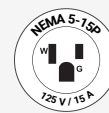
Fax: (905) 607-0234

Email: sales@omcan.com

Website: www.omcan.com



Authorized Dealer



*50023
50025
50027

Made in China

Updated: Sep 29, 2025

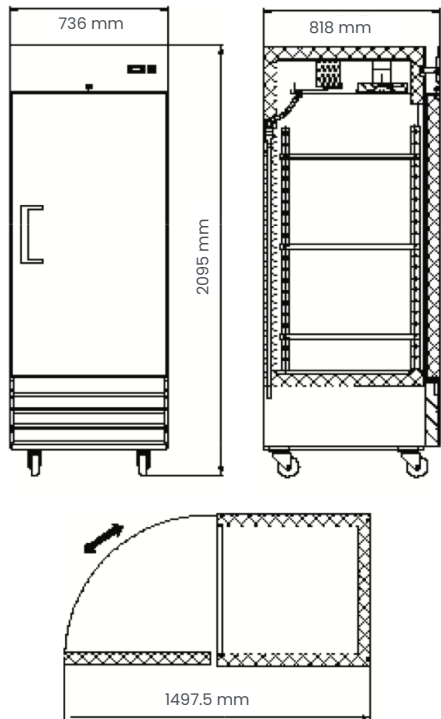
js Page 1 / 3

TECHNICAL SPECIFICATION

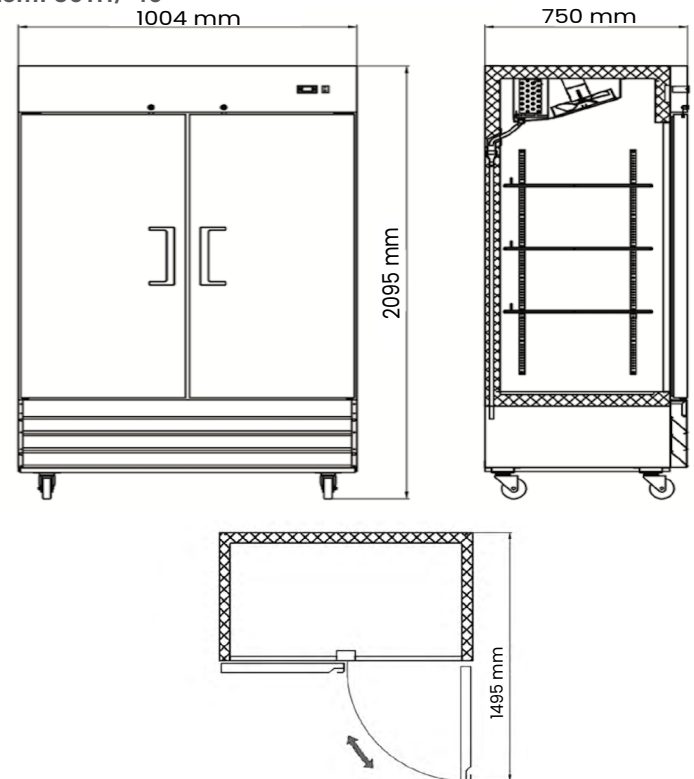
Features	29" /23 cu.ft. capacity	40"/26.5 cu.ft. capacity	54" /47 cu.ft.capacity	81" / 72 cu.ft. capacity
Item	50023	50111	50025	50027
Model	FR-CN-0737-HC	FR-CN-0035-HC	FR-CN-1372-HC	FR-CN-2057-HC
Capacity	23 cuft (650 L)	26.46 cuft (749.3 L)	47 cuft (1331 L)	72 cuft (2040 L)
Number of Doors	1 Swing Solid Door	2 Swing Solid Doors	2 Swing Solid Doors	3 Swing Solid Doors
Self Closing Door	Yes			
Number of Shelves	3 Shelves	6 Shelves		9 Shelves
Shelf Capacity	59.5 lb (27 kg)	88 lb (39.9 kg)	90 lb (41 kg)	61.7 lb (28 kg)
Electrical	110-120V / 60Hz / 1Ph			
Refrigerant	R290			
Shelf Material	Plastic Coated			
Cooling System	Ventilated			
Temperature Controller	Digital			
Insulation Material	Cyclopentane			
Defrosting	Automatic			
Temperature Range	-22.2 to -17.8°C/ -8 to 0°F			
Number of Casters	4			
Power	1/2 HP	4/5 HP	1 HP	1 -1/4 HP
Current	7.1 A	6.7A	10.7 A	12 A
Plug Type	NEMA 5-15P			
Usable Interior Dimensions (WDH)	24.4" x 27.1" x 51.5" (620 x 688 x 1310 mm)	35" x 24.4" x 51.5" (888 x 620 x 1310 mm)	49.4" x 27.1" x 51.5" (1255 x 688 x 1310 mm)	76.3" x 27.1" x 51.5" (1938 x 688 x 1310 mm)
Net Weight	282.2 lbs (128 kgs)	308 lbs (40 kgs)	447.5 lbs (203 kgs)	674.6 lbs (306 kgs)
Net Dimensions (WDH)	29" x 32.2" x 82.5" (736 x 818 x 2095 mm)	39.5" x 29.5" x 82.5" (1004 x 750 x 2095 mm)	54" x 32.2" x 82.5" (1371 x 818 x 2095 mm)	80.9" x 32.2" x 82.5" (2054 x 818 x 2095 mm)
Shipping Weight	322 lbs (146 kgs)	374 lbs (170 kgs)	531 lbs (241 kgs)	765 lbs (347 kgs)
Shipping Dimensions (WDH)	31" x 35" x 85 (770 x 890 x 2160 mm)	42" x 31.9" x 82.5" (1070 x 810 x 2095 mm)	57" x 35" x 85" (1435 x 890 x 2160 mm)	84" x 35" x 85" (2120 x 890 x 2160 mm)

TECHNICAL DRAWING

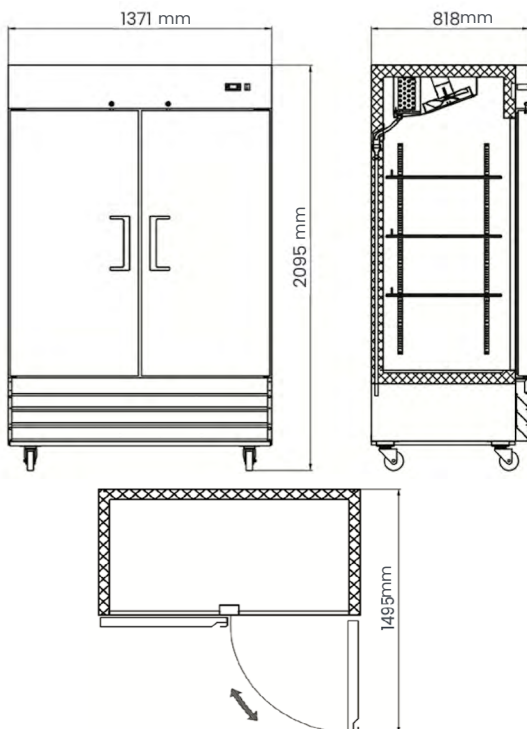
Item: 50023/ 29"



Item: 50111/ 40"



Item: 50025/ 54"



Item: 50027/ 81"

